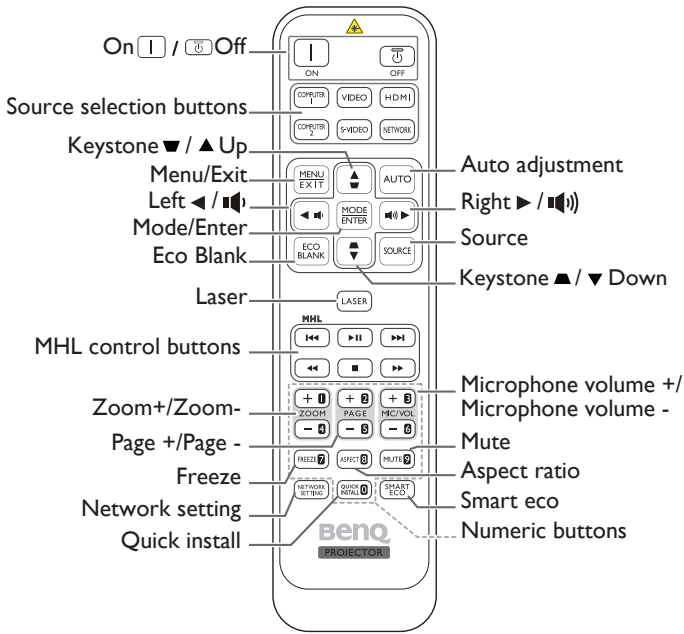
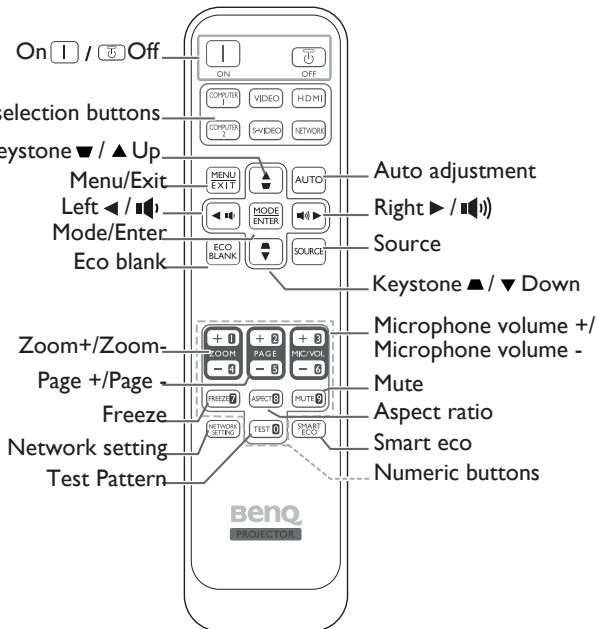
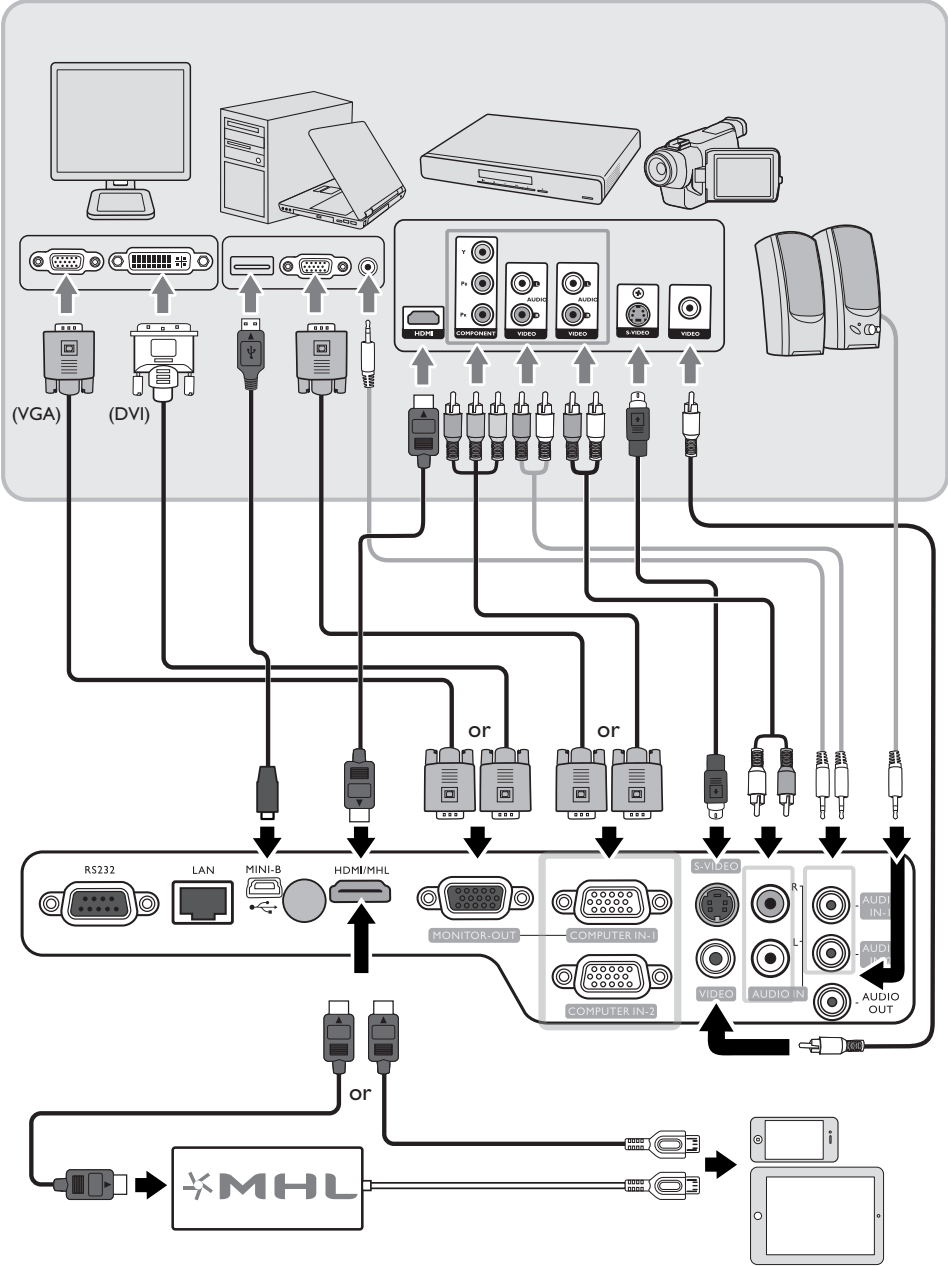


Remote control



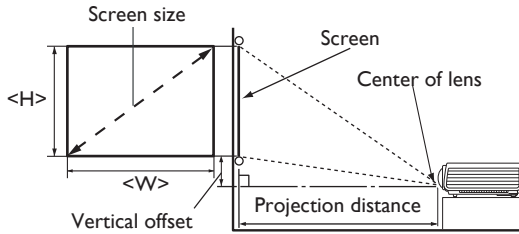
(For Japan only)





Projection dimensions

MX823ST



The screen aspect ratio is 4:3 and the projected picture is 4:3

Screen size			Distance from screen (mm)	Vertical offset (mm)	
Diagonal		H (mm)			W (mm)
Inch	mm				
80	2032	1219	1626	992	183
100	2540	1524	2032	1240	229
120	3048	1829	2438	1487	274
150	3810	2286	3048	1859	343
180	4572	2743	3658	2231	411
200	5080	3048	4064	2479	457
220	5588	3353	4470	2727	503
240	6096	3658	4877	2975	549
270	6858	4115	5486	3347	617
300	7620	4572	6096	3719	686

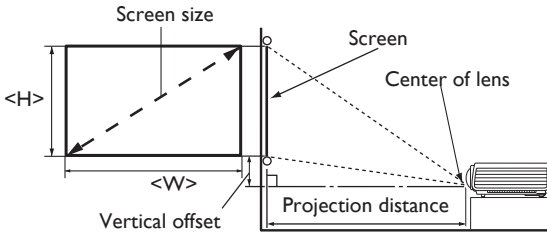


All measurements are approximate and may vary from the actual sizes.

BenQ recommends that if you intend to permanently install the projector, you should physically test the projection size and distance using the actual projector in situ before you permanently install it, so as to make allowance for this projector's optical characteristics. This will help you determine the exact mounting position so that it best suits your installation location.

Projection dimensions

MW824ST



The screen aspect ratio is 16:10 and the projected picture is 16:10

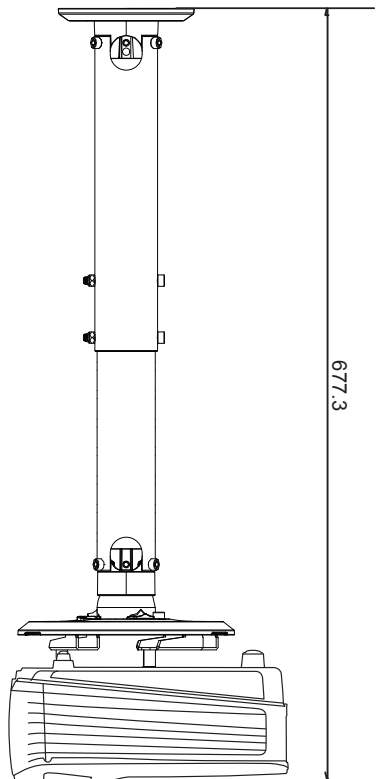
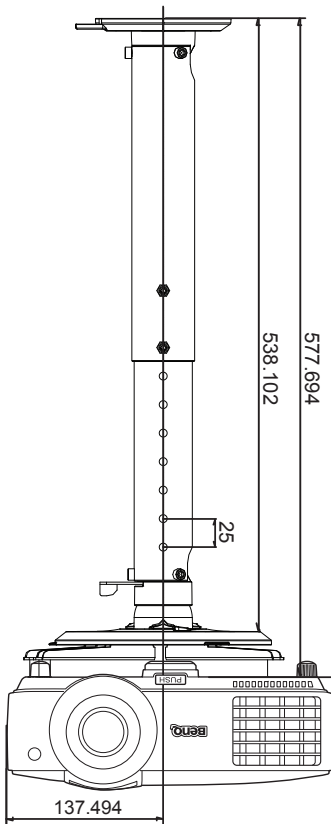
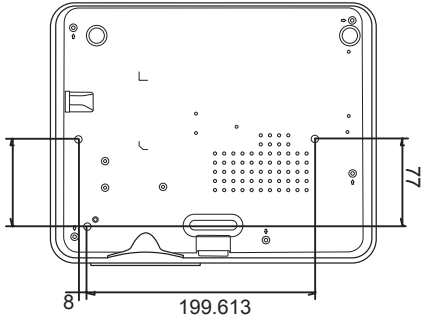
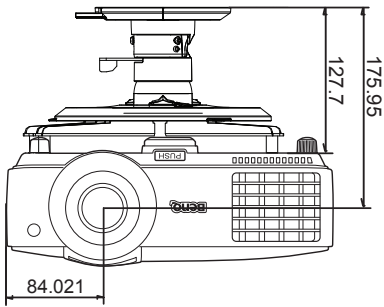
Screen size			Distance from screen (mm)	Vertical offset (mm)	
Diagonal		H (mm)			W (mm)
Inch	mm				
80	2032	1077	1723	844	54
100	2540	1346	2154	1055	67
120	3048	1615	2585	1267	81
150	3810	2019	3231	1583	101
180	4572	2423	3877	1900	121
200	5080	2692	4308	2111	135
220	5588	2962	4739	2322	148
240	6096	3231	5169	2533	162
270	6858	3635	5816	2850	182
300	7620	4039	6462	3166	202



All measurements are approximate and may vary from the actual sizes.

BenQ recommends that if you intend to permanently install the projector, you should physically test the projection size and distance using the actual projector in situ before you permanently install it, so as to make allowance for this projector's optical characteristics. This will help you determine the exact mounting position so that it best suits your installation location.

Ceiling Mount screw: M4
(Max L = 25 mm; Min L = 20 mm)
Unut: mm



Wall mount installation

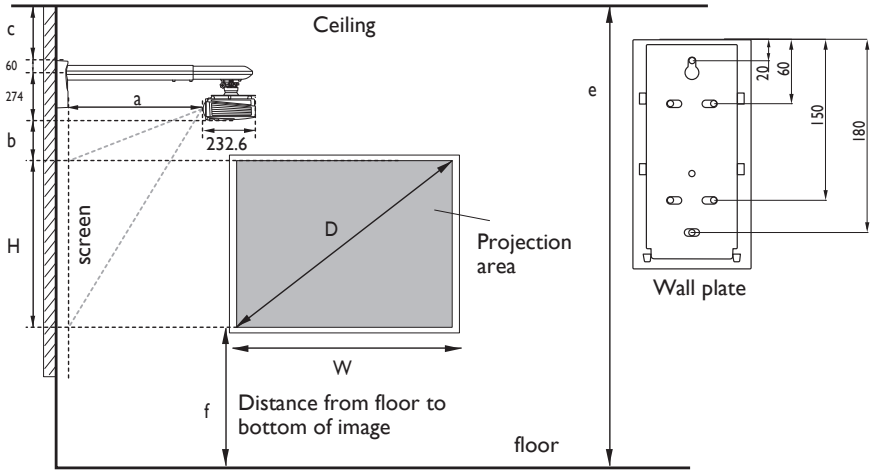
Minimum installation requirements

Computer Resolution: XGA Image Resolution: XGA	Diagram Reference	SMART Board 660	Smart Board 680	Promethean ActivBoard 164	Promethean ActivBoard 178	RM ClassBoard2 77.5	Hitachi StarBoard FX-63	StarBoard FX-77
Image Diagonal (inches)	D	64	77	64	78	78	63	77
Image Height (mm)	H	975	1173	975	1189	1181	960	1173
Image Width (mm)	W	1300	1565	1300	1585	1575	1280	1565
Distance from floor to bottom of image (mm)	f	900	900	900	900	900	900	900
Distance from screen surface to projector rear case (mm)	a	790	950	790	970	970	780	950
Distance from top case to the top of image (mm)	b	94	124	94	126	126	92	124
Distance from top of wall mount to ceiling (mm)	c	50	50	50	50	50	50	50
Minimum Ceiling Height (mm)	e	2347	2575	2347	2593	2585	2330	2575

Computer Resolution: WXGA Image Resolution: WXGA	Diagram Reference	SMART Board 685	Promethean ActivBoard 387	Hitachi FX-TRIO-88W	Hitachi FX-DUO-88W
Image Diagonal (inches)	D	87	87	88	88
Image Height (mm)	H	1171	1171	1181	1181
Image Width (mm)	W	1874	1874	1887	1887
Distance from floor to bottom of image (mm)	f	900	900	900	900
Distance from screen surface to projector lens (mm)	a	916	916	926	926
Distance from top case to the top of image (mm)	b	6.8	6.8	7.5	7.5
Distance from top of wall mount to ceiling (mm)	c	50	50	50	50
Minimum Ceiling Height (mm)	e	2461.8	2461.8	2472.5	2472.5

Wall mount installation

$$\text{Minimum Ceiling Height (mm)} = f+H+b+60+274+c$$



- The dimensions are based on the BenQ wall mount (P/N: 5J.J4R10.001).
- All measurements are approximate and may vary from the actual sizes. BenQ recommends that if you intend to permanently install the projector, you should physically test the projection size and distance using the actual projector in situ before you permanently install it, so as to make allowance for this projector's optical characteristics. This will help you determine the exact mounting position so that it best suits your installation location.
- The dimensions supplied are offered as a guide only and may differ depending on several factors relating to any specific installation.
- The dimensions are based on the projector being configured with zero keystone correction.
- The dimensions assume that the wall mount arm is positioned 90° from the bottom case of projector and screen surface.

